

# ISOJOINT®

## Meter Service Fitting

The Positive Solution to Cathodic Isolation of Meters



from  
**ADVANCE  
PRODUCTS &  
SYSTEMS, INC.**

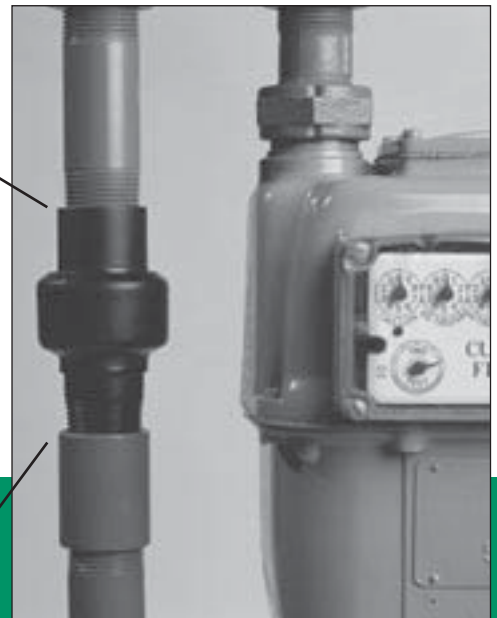


ASTM A105 Steel

Buna N Seal

Polycarbonate Insulating  
Bushing

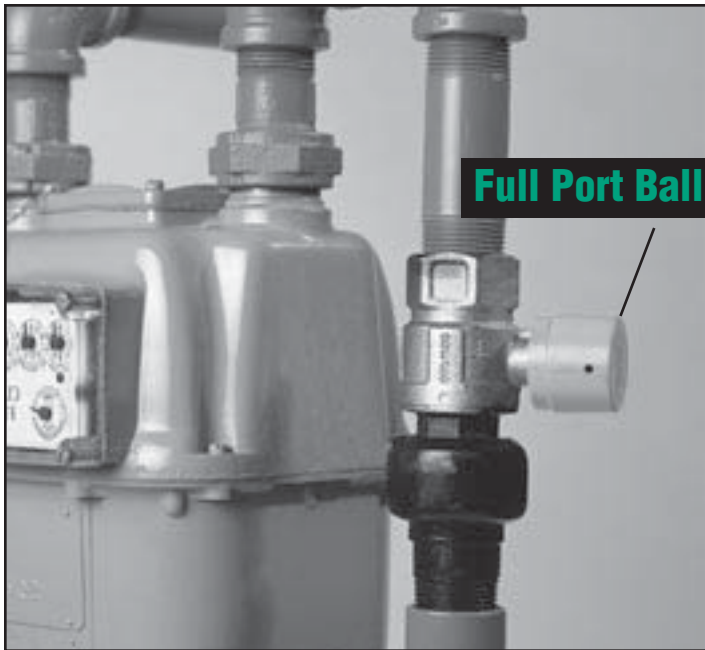
Carbon Steel A106 Gr B



- No maintenance required for twenty years or more
- Easy, accurate, and safe installation
- Available for welding line without leakage or damage to internal insulating material
- Leak Proof one piece or monolithic fitting
- Internally and externally coated with epoxy
- The joint has electrical and dielectrical characteristics and strong resistance to chemical agents
- High tensile and bending load resistance
- Suitable for above ground or below ground installation up to 10 BAR or 150 PSI constant operating pressure
- Sealing guaranteed if pressure exceeds maximum operating pressure for intermitted periods; hydraulically tested to 15 BAR or 220 PSI
- Two internal seals, one dielectric bushing, the other a rubber pressure seal
- Reusable many times over the life of the installation

# ISOJOINT®

## Meter Service Fitting



Meter Service Fittings are manufactured in accordance with the highest technical standards which guarantee:

- Mechanical requirements are met for the specific need of meter installations.
- Insulating requirements are achieved and surpass the electrical characteristics of the product transported through the pipe.

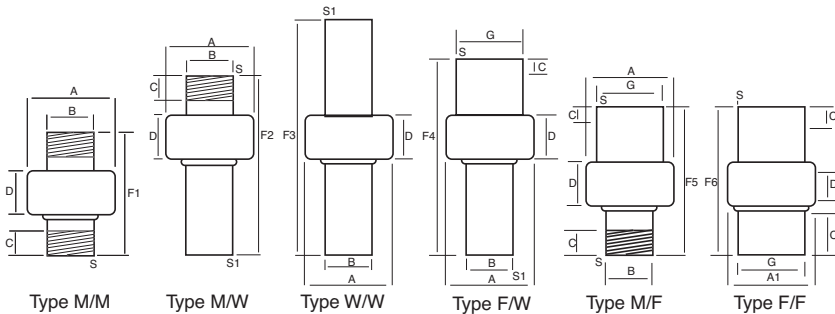
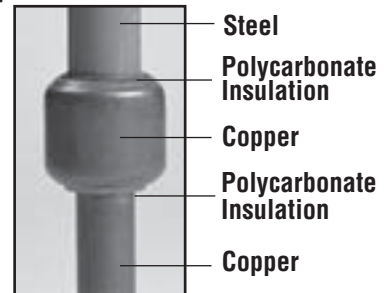
**When ordering, please give the following information:**

1. Diameter of pipe
2. Style, Male/Male, Male/Female, Female/Female, Weld/Male, Weld/Female, Weld/Weld

### Water Service Fittings

Now available from APS, Copper to Steel Water Service Fittings for Water Service Lines.

Available:  
 MxM NPT Thread  
 MxF NPT Thread  
 MNPT x Weld  
 FNPT x Weld  
 Weld x Weld  
 F x F NPT



Inside Dia.	A	A1	B	C	D	F1	F2	F3	F4	F5	F6	G	S	S1
1/2"	1 13/16"	1"	13/16"	3/4"	1 1/8"	3 11/16"	5 7/16"	8 3/16"	5 7/16"	3 3/4"	1"	1 1/16"	5/32"	1/8"
3/4"	1 15/16"	2 1/16"	1 1/16"	3/4"	1 3/16"	3 15/16"	6 5/8"	9 3/8"	6 5/8"	3 15/16"	3 1/16"	1 1/4"	5/32"	1/8"
1"	2 3/16"	2 3/8"	1 5/16"	3/4"	1 1/4"	4 11/16"	7 1/4"	9 1/2"	7 1/4"	4 1/16"	3 7/16"	1 1/2"	5/32"	5/32"
1 1/4"	2 1/2"	2 3/4"	1 11/16"	7/8"	1 3/8"	5 1/4"	8 3/16"	10 1/2"	8 3/16"	4 7/16"	3 13/16"	1 15/16"	5/32"	5/32"
1 1/2"	2 13/16"	3 3/16"	1 7/8"	7/8"	1 7/16"	5 5/8"	8 3/8"	10 15/16"	8 3/8"	4 13/16"	4 1/2"	2 1/8"	5/32"	5/32"
2"	3 5/16"	3 1/2"	2 3/8"	7/8"	1 1/2"	5 7/8"	8 1/2"	11 1/8"	8 1/2"	5 7/16"	4 3/4"	2 1/2"	3/16"	5/32"
2 1/2"	4 7/16"	1"	2 15/16"	1 3/16"	2 1/4"	7 13/16"	10 1/2"	14 1/16"	10 1/2"	7"	1"	3 1/2"	3/16"	3/16"
3"	4 7/8"	1"	3 1/2"	1 3/8"	2 3/8"	8 1/2"	11 3/4"	15 5/8"	11 3/4"	7 7/8"	1"	3 15/16"	3/16"	3/16"

Distributed by:



COM. Y DISTR. PATAGON TEC LIMITADA

Fono 56 (2) - 2957 1700  
 SANTIAGO — CHILE

EMAIL : VENTAS@PATAGONTEC.CL

WWW.PATAGONTEC.CL

ADVANCE  
 PRODUCTS & SYSTEMS, INC.  
 P.O. Box 60399  
 Lafayette, LA 70596-0399  
 (800) 315-6009  
 (337) 233-6116  
 Fax (337)-232-3860  
 e-mail: sales@apsonline.com  
 www.apsonline.com

