



ADVANCE PRODUCTS & SYSTEMS, INC.

DuoCon Centralizers

Corrosion Resistant Polyethylene

DuoCon Centralizers are used to support and space a section of pipe inside a secondary pipe on dual containment systems. These plastic centralizers can be used on all types of pipe including fiberglass, PVC, polyethylene and steel.

APS centralizers are manufactured from injection molded, high density polyethylene. Commonly called spacers or spiders, DuoCon Centralizers are lightweight, economical, and easy to install, requiring only a screwdriver. We recommend installation every 8 to 12 feet.

Other benefits of polyethylene include high impact strength and abrasion resistance. The low friction of polyethylene facilitates easy installation when sliding the central pipe.

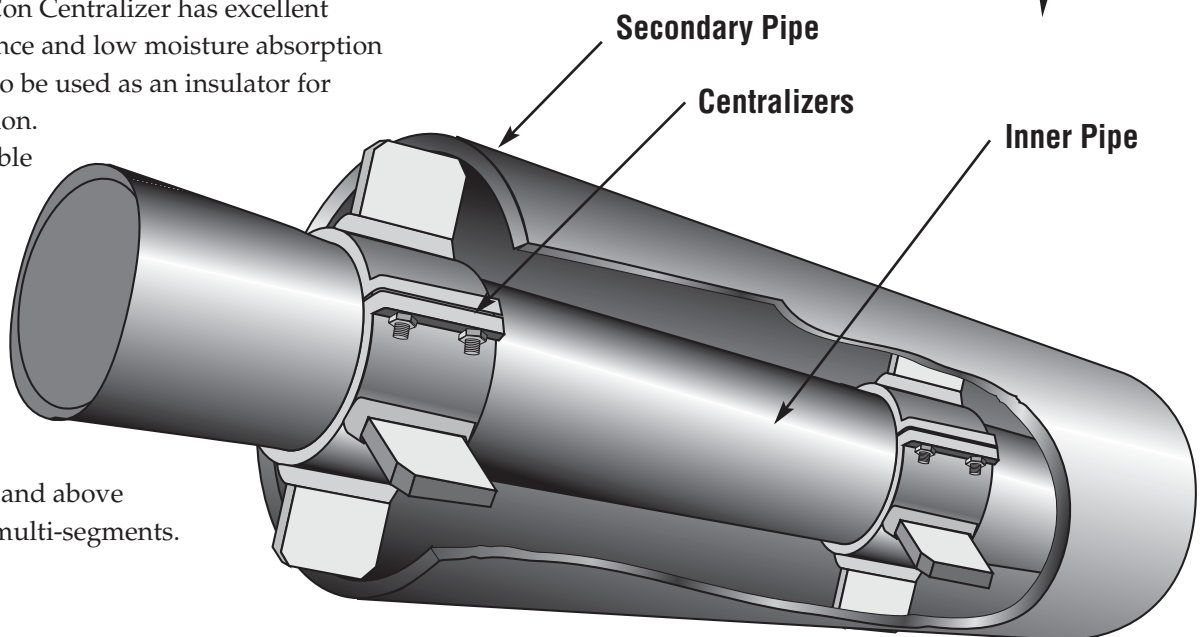
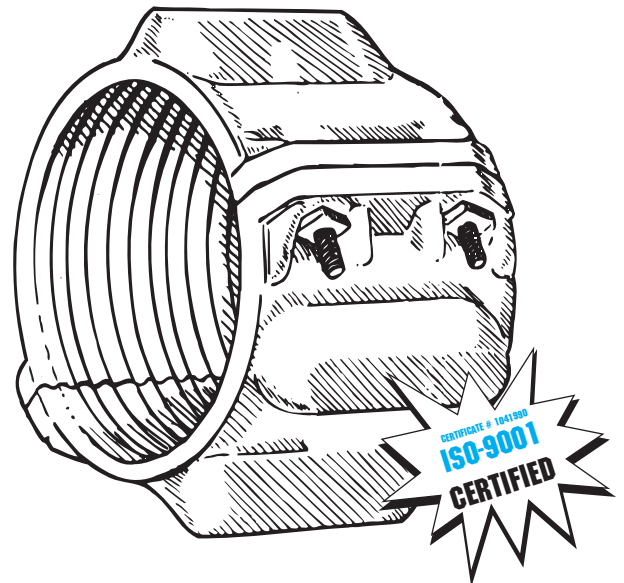
Molded into the inner surface are grooves which prevent slippage and cold flow of coated pipe.

The APS DuoCon Centralizer has excellent dielectric resistance and low moisture absorption which allows it to be used as an insulator for cathodic protection.

Sizes are available from 2" to 12" with a standard runner height of 1".

Extensions of as much as 4" can be added optionally.

Centralizers 14" and above are available in multi-segments.



SPECIFICATIONS

SIZE (NOMINAL PIPE)	RUNNER HEIGHT	NUMBER OF SEGMENTS	UNIT WEIGHT IN POUNDS	UNITS PER BOX	SIZE (NOMINAL PIPE)	RUNNER HEIGHT	NUMBER OF SEGMENTS	UNIT WEIGHT IN POUNDS	UNITS PER BOX
1 X 3	1/2"	2	.08		8 X 12	1"	2	2.25	10
1 1/2 X 3	1/2"	2	.12		8 X 14	1 1/2"	2	2.50	
2 X 4 / 2 X 6	5/8"	2	.52	10	8 X 16	2"	2	2.63	
3 X 6 / 3 X 8	3/4"	2	.67	10	10 X 14	1"	2	2.40	5
4 X 6	9/16"	2	.80	10	10 X 16	1 1/2"	2	2.63	5
4 X 8	1"	2	1.03	10	10 X 18	2"	2	2.75	
4 X 10	1 1/2"	2	1.25		12 X 16	1"	2	2.75	5
6 X 10	1"	2	1.70	10	12 X 18	1 1/2"	2	2.88	
6 X 12	1 1/2"	2	1.94		12 X 20	2"	2	3.00	5
6 X 14	2"	2	2.00						

- Centralizers 14" and above available upon request
- Additional runner height up to 4" optional
- Stainless steel or non-metallic hardware available upon request

Physical Properties

- Dielectric Strength - 450-500 Volts/Mil
- Compressive Strength - 3200 psi
- Flexural Yield Strength - 1000 psi
- Maximum Continuous Operating Temperature - 225°F
- Tensile Strength - 3100 - 5500 psi
- Impact Strength - 4.0 ft-lbs/in. of notch
- Water Absorption - <0.01%

Ordering Instructions

Please Specify the Following:

- Quantity
- Secondary Pipe O.D.
- Pipe O.D.
- Secondary Pipe Wall Thickness
- Type of Pipe
- Height of Runners



ADVANCE PRODUCTS & SYSTEMS, INC.

P.O. Box 60399 • Lafayette, Louisiana 70596-0399 • 337-233-6116 • FAX 337-232-3860
1-800-315-6009 • Website: www.apsonline.com • Email: sales@apsonline.com

Distributed By:



COM. Y DISTR. PATAGON TEC LIMITADA

Fono 56 (2) - 2957 1700
SANTIAGO — CHILE

EMAIL : VENTAS@PATAGONTEC.CL

WWW.PATAGONTEC.CL

QMI

MANAGEMENT SYSTEMS
REGISTRATION

ISO 9001:2000

REGISTERED COMPANY

CERTIFICATE # 1041990



"Advance Products & Systems, Inc. is not responsible for errors printed in this brochure."

2MTP0606